

1.6.10 - Sap wood

Healthy sap wood is permissible in case of:

- deciduous wood, if it neither exceeds 1/4 of the board width nor 1/2 of the board thickness and
- in case of pine woods.

1.6.11 - Medullary canal


A cut-in medullary canal is permissible for the blocks.

Enclosed medullary canals are generally permissible in case of pine wood; in case of other woods only in a maximum of three of the nine blocks of the EUR pallet.

1.7 - Marking

1.7.1 - Marking of EUR pallets

EUR-1 flat pallets (see [Glossary - page 59](#)) must have the following symbols on the blocks of the 1200 mm side:


- **on the left-hand corner block:** the UIC symbol in accordance with [Appendix B - page 14](#) in a font size of at least 40 mm,
- **on the centre block:** due to the mandatory phytosanitary heat treatment, the symbols assigned by the relevant authority for said treatment are to appear on both centre blocks on the 1 200 mm side with, one line below, the production code and production year in a legible font size of at least 10 mm and the symbol of the RU in a font of at least 15 mm,
- **on the right-hand corner block:** the protected  symbol in accordance with [Appendix I - page 42](#).

The manufacturer code 000-0-00 gives

- the approving manufacturer in the first group (digits/letters) and
- the last digit of the year plus the month of manufacture in the second group.

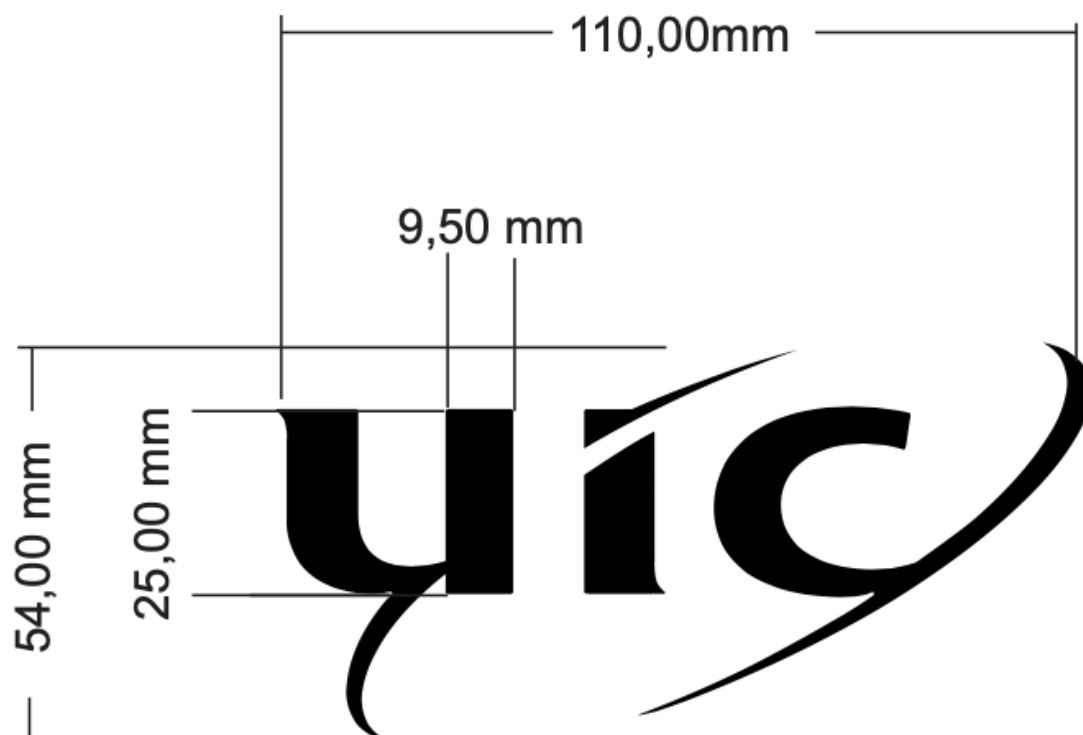
The characters must be burnt in completely. In addition, stamping and simultaneous colouring are permissible. The stamp must be at least 0,3 mm, the colour must be brown to black, water-insoluble, light-resistant and non-toxic (water-based).

1.7.2 - Withdrawal of a symbol

In particular, the unlawful use and imitation of the protected  symbol in accordance with [Appendix I](#), as well as of the UIC symbol in accordance with [Appendix B](#) and of the UIC RU symbol in accordance with [Appendix N - page 54](#) shall be the subject of legal action by the UIC RU/pallet organisation.

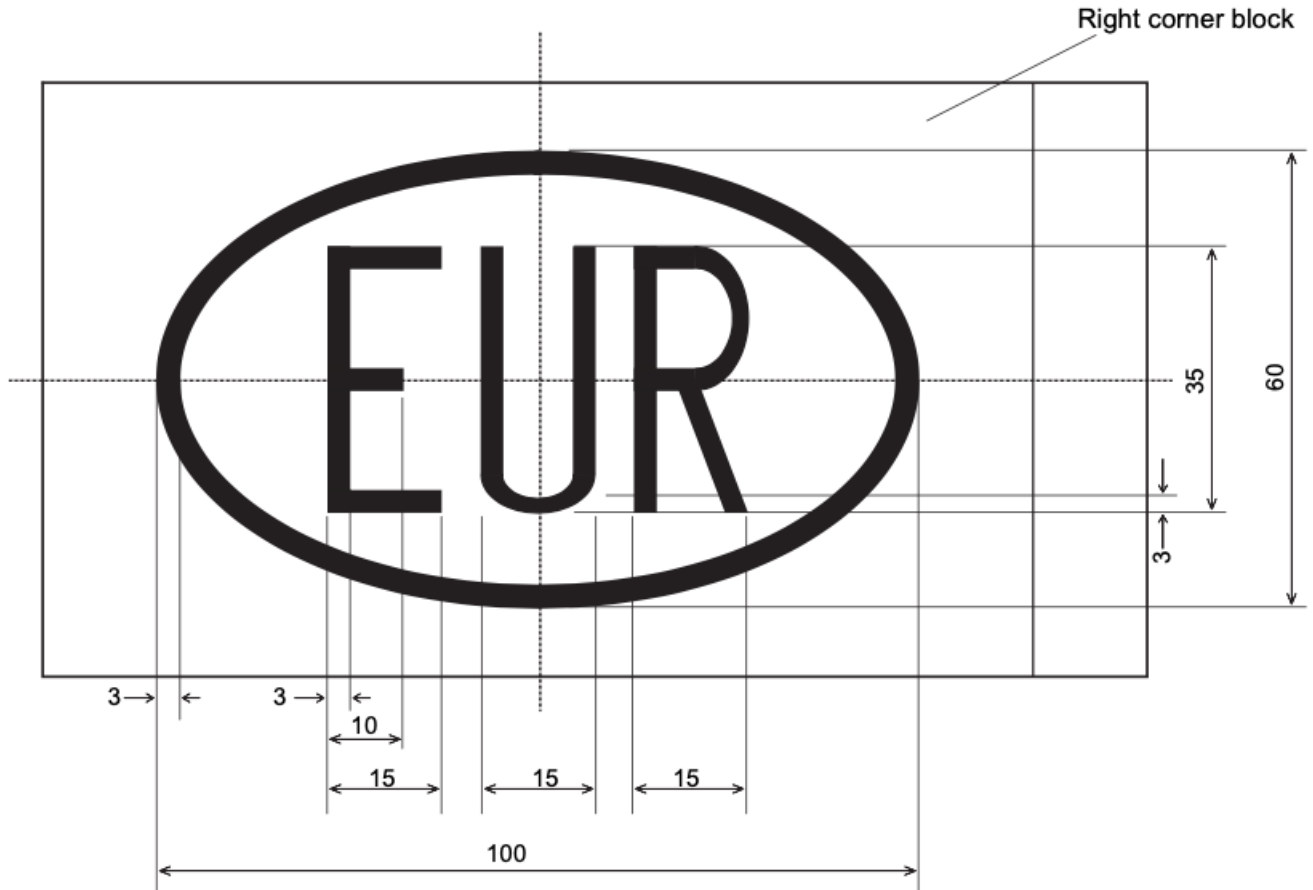
The approving UIC RU has to ensure that all the necessary conditions of pursuit are given.

Appendix B - UIC symbol



The UIC symbols are registered at the Office for Harmonisation in the Internal Market (OHIM - see List of abbreviations - [page 58](#)) in Alicante under numbers 7007495, 011388196 and 011647534 for classes 6, 20, 39 and 42.

Appendix I - Standard symbol for marking a European flat wood pallet with four entries



Authorisation to use branding plates or stamps with this symbol may only be given to approved EUR pallet manufacturers by an authorised UIC RU as per the terms of [Appendix N - page 54](#) or by a pallet organisation as per the terms of [Appendix L - page 52](#).

The symbol is registered as a figurative mark at the World Intellectual Property Organisation (WIPO - see List of abbreviations - [page 58](#)) in Geneva under number 430 337 and at the OHIM (Office for Harmonisation) in Alicante as a Community Trade Mark under number 004848206.